



## **Guinness world record-world largest glass window**

On August 6, 2021, certified by the Guinness Book of World Records, the nearly 17-meter ultra-high all-glass curtain wall of the Taikang mansion produced by [Tianjin NorthGlass](#), is the world largest glass window, The unit glass window area reached 50.869 square meters.



Taikang Financial Tower is located in the core area of Beijing's CBD, adjacent to well-known buildings such as China Zun and CCTV Headquarters. Total height 223.4 meters, covering 8,427 square meters, and the total construction area is 182,135 sqm. The building lobby adopts a seam-type all-glass curtain wall and a floor-mounted double-laminated insulated all-glass curtain wall system. The size of a single piece of glass is 17.1m×3.107m, glass weighs 6.5 tons.

Owner: Taikang Weiye

Facade contractor: Beijing Jangho Curtain wall Co., Ltd

Glass processor: Tianjin Northglass technology



# QINGDAO MORN BUILDING MATERIALS CO.,LTD

Your turnkey China tempered glass/laminated glass/insulated glass supplier



Glass combination:

Curtain wall:12HS+ [1.52SGP](#)+12HS Low-E+16A+12HS+1.52SGP+12HS low iron laminated insulated glass,standard glass panel:2970\*17000mm,Max panel 3107\*17000mm.

Glass fin:12TP\*6+1.52SGP\*5,standard glass panel:1020\*17000mm.





## QINGDAO MORN BUILDING MATERIALS CO.,LTD

Your turnkey China tempered glass/laminated glass/insulated glass supplier

The vertical sides of the glass panels and the glass fin are completely connected by silicone structural sealant, and the force transmission model and force analysis are extremely complicated.

Meanwhile the processing requirement is also very strict: Diagonal size deviation is controlled within  $\pm 3\text{mm}$ , the verticality size deviation of the 17M curtain wall is controlled within  $\pm 5\text{mm}$ , the sealant gap width deviation is within  $\pm 2\text{mm}$ .

Here are more pictures about the project:





Due to the owner's adjustment of the project's function and the refined design of the lobby, the construction period of the super large glass curtain wall was passively postponed three times, with a time span of more than three years.

But Northglass and Jangho curtain wall realized zero damage, zero replacement, zero accidents, fulfilled the solemn promise of Jangho people, and finally handed over a very satisfactory answer to the customer

### **About Northglass:**

NorthGlass started the cooperation with Apple in 2008 and officially started the research and development of super large curtain wall glass. In 2009, it developed 12.8 meters super large curved tempered glass and applied it to Shanghai Pudong Apple Store. In 2012, it independently developed 18 meters Flat&bending tempering furnace, and then completed many large glass curtain wall projects such as Hong Kong Taikoo, Apple Headquarters, Taikang Financial Building, and continued to break its own record to develop and manufacture a 24-meter production line.





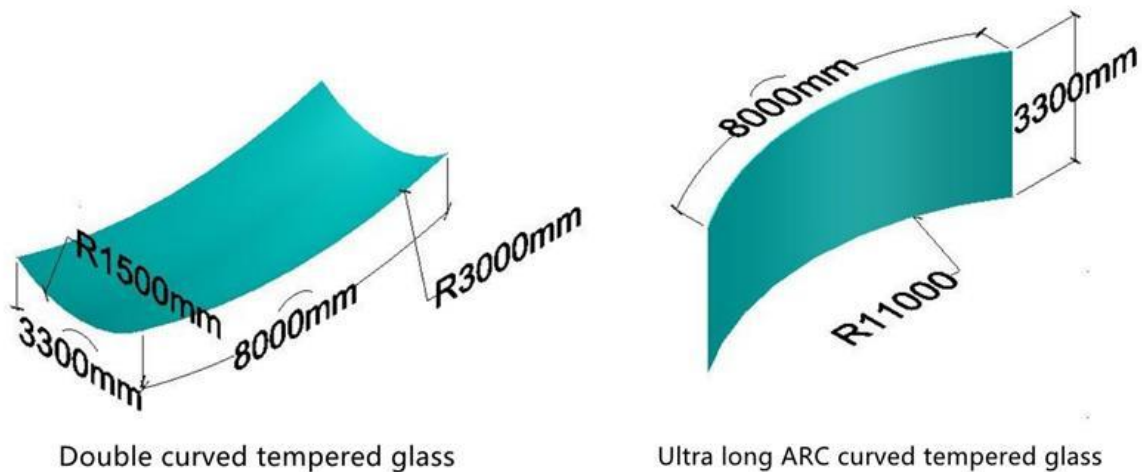
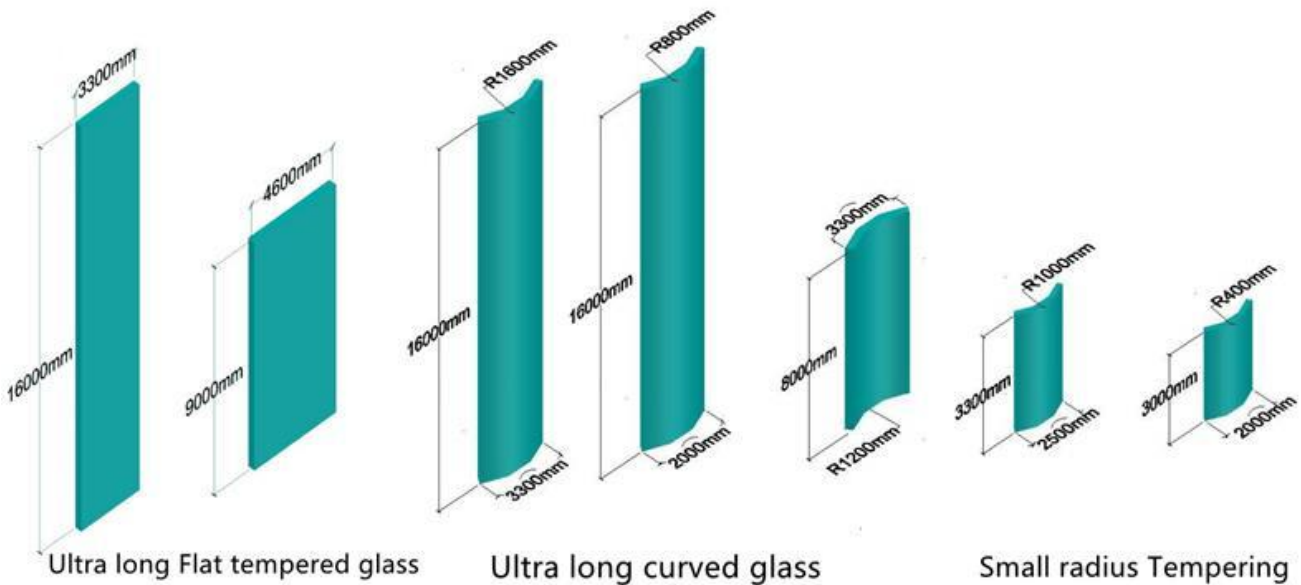
# QINGDAO MORN BUILDING MATERIALS CO.,LTD

Your turnkey China tempered glass/laminated glass/insulated glass supplier

Actually despite Northglass, there're also many China glass processors keep introducing and developing oversized and over-width [architectural glass](#) products to fulfill the new and unique design concept.

Cooperating with these advanced glass processors, Morn now is also able to manufacture and supply jumbo sized tempered, laminated, and insulated glass products, with superior quality equivalent to Northglass but much better price. Below is Morn processing capability:

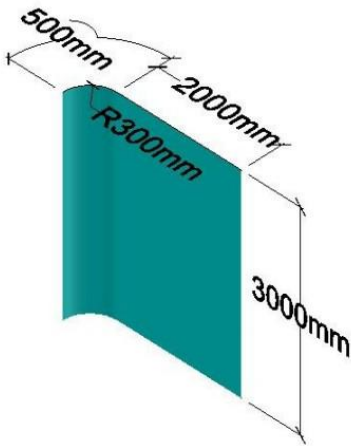
| Glass type                                    | Max processing capability                         | Remark   |
|---|---|--|
| Oversized tempering/laminating/insulating     | Flat Tempered glass: 16000*3300mm                 | Double silver low-E/Triple silver low-E              |
| Oversized tempering/laminating/insulating     | Curved tempered glass: 16000*3300mm arc, R>1800MM | Double silver low-E/Triple silver low-E              |
| Over-width tempering/laminating/insulating    | Flat Tempered glass: 9000*4600mm                  | Low iron glass is not available for float glass size |
| Double curved tempering/laminating/insulating | 8000*3300mm Arc, Max 600mm rise                   |  |
| J shaped tempered glass                       | 3000*2500mm Arc, R450mm                           |  |
| Dip-Tech digital printing Line                | 16000*3300mm                                      |  |



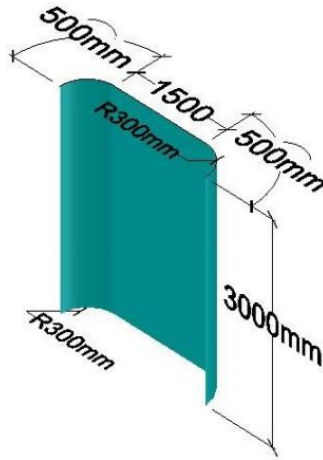


# QINGDAO MORN BUILDING MATERIALS CO.,LTD

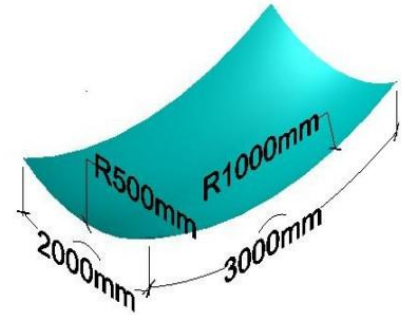
Your turnkey China tempered glass/laminated glass/insulated glass supplier



J shaped tempered glass



U shaped tempered glass



Double curved glass

Fast growing Morn glass work with the best glass manufacturers in China to fulfill your every unique glass requirement, whether it's multi-radius curved glass, J shaped glass, double curved glass, over sized and over width glass, [Digital printed glass](#), [structural glass](#) designs.

We strive to offer the best quality glass within your budget, high cost performance architectural glass can always be found in Morn. Kindly contact us for your special glass requirement.

## Contact us:

**Qingdao Morn Building Materials Co.,Ltd**

**China HQ:** Room A304, Shengxifu Road, NO.209 Weihai Road, Shibei District, Qingdao, China, 266024

**Sales Email:** [marketing@cnmorn.com](mailto:marketing@cnmorn.com)

**Technical support:** [han@cnmorn.com](mailto:han@cnmorn.com) **Mobile/Wechat:** 0086-17705464660

**Website:** <https://www.cnmorn.com/> <https://www.mornglass.com/>